

Technical Bulletin

Bulletin Number: 467 Revision Number: R-01

Release Date: February 16, 1993 Revision Date: July 28, 1998

SUBJECT: USA BILL VALIDATOR MOUNTING IN COCA-COLA LANDSCAPE VENDERS NON VRV

MODELS AFFECTED: All Coca-Cola Landscape Venders

SERIAL NUMBER BREAKS:

- A. 0001-3075CM to 0001-3233DP and 0001-6000DO to 0001-6123BR. See pages 1 and 2.
- B. 0001-2949DK to 0001-3075CM. See pages 2 and 3.

REASON: To provide information on the proper mounting of the USA Bill Validator In Coca-Cola Landscape Venders.

TO INSTALL USA VALIDATOR IN OPENING PROVIDED

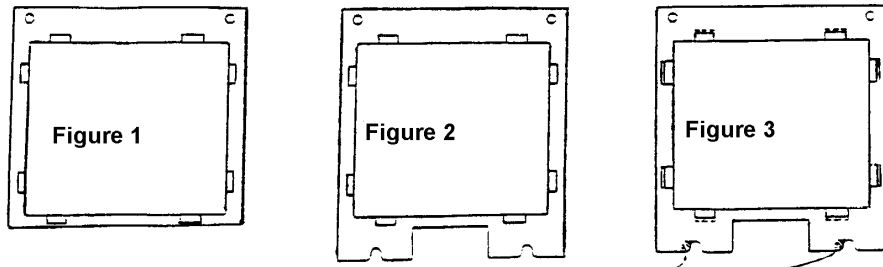
- A. 0001-3075CM to 0001-3233DO and 0001-6000DO to 0001-6123AR.

<u>ORDER:</u>	1 - 432,010,01x.x3	mounting ring
	1 - 432,010,02x.x3	mounting plate, Maka
	1 - 432,010,06x.x3	mounting plate, Mars
	1 - 432,010,41x.x3	mounting plate, USA
	1 - 803,827,00x.x1	acceptor label
	1 - 902,001,12x.x1	gasket
	2 - 801,804,86x.x1	¼" standoff
	4 - 900,800,50x.x1	#8-32 keps nut
	2 - 900,800,89x.x1	#8-32 steel hex nut 1/16" thick
	1 - 801,902,71x.x1	rain diverter shelf

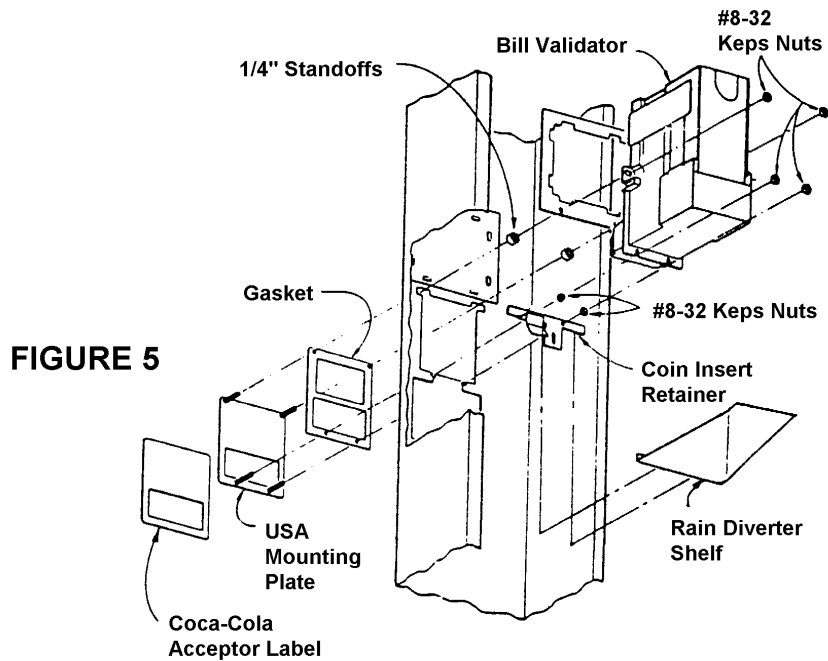
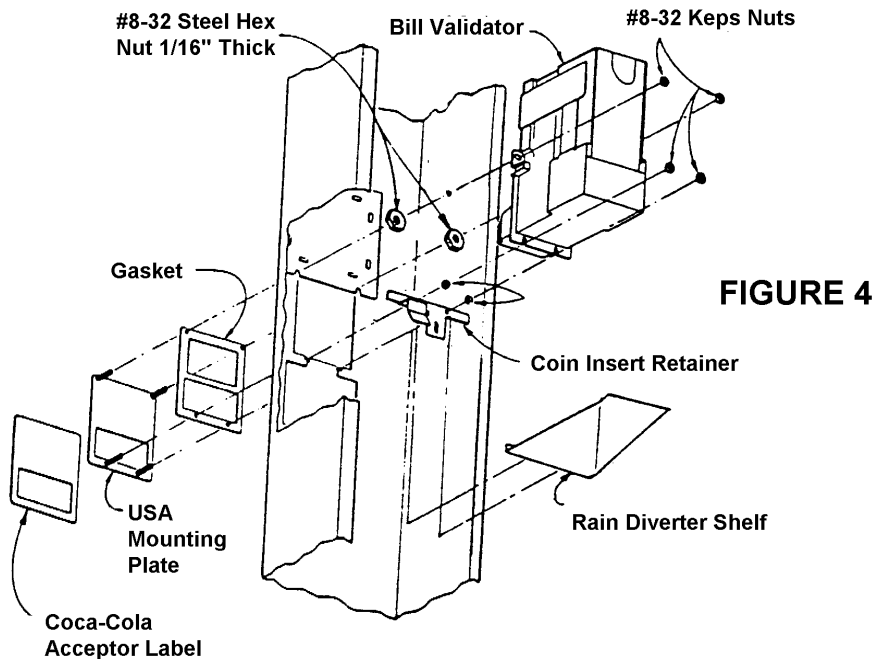
INSTALLATION:

1. Unplug the vender.
2. Remove the coin insert retainer. (See figure 4 or 5.)
3. Remove the validator hole filler plate.
4. Pre-assemble the validator mounting plate, plate label and validator gasket. Note that the adhesive side of the validator gasket is placed against the back side of the validator mounting plate. (See figure 4 or 5.)
5. Place the mounting plate assembly in position.
6. Place the rain diverter shelf in position. (See figure 4 or 5.)
7. Place the coin insert retainer in position.
8. Look at the back of the Point of Sale Window.
9. If the P.O.S. Window does not extend down to the thread studs, (see figure 1) remove the P.O.S. Window Retainer.
 - A. Install two ¼" stand-offs (801,804,86x.x1) on the bottom P.O.S. Window thread studs. (See figure 5.)
 - B. Replace P.O.S. Window Retainer. (See figure 5.)
 - C. Go to step 10.
10. If the P.O.S. Window extends down to the thread studs (see figures 2 and 3) install two #8-32 steel hex nuts 1/16" thick (900,800,89x.x1) on the bottom P.O.S. Window studs against the back of the P.O.S. Window Retainer or the P.O. S. Window Security Channel. (See figure 4.)
11. Secure the coin insert retainer with two #8-32 keps nuts (900,800,50x.x1). (See figure 4 or 5.)
12. Place Bill Validator in position.
13. Install top two #8-32 keps nuts (900,800,50x.x1). DO NOT SECURE AT THIS TIME.
14. Place Bill Validator ground wire on one of the thread studs.

15. Install bottom two #8-32 keps nuts (900,800,50x.x1).
16. Tighten the four #8-32 keps nuts.
17. Plug in the vender and test for proper operation.



Shaded area indicated material added to provide more support for P.O.S. Window Retainer or Security Channel



TO INSTALL USA VALIDATOR IN OPENING PROVIDED

B. 0001-2949DK to 0001-3075CM.

ORDER:	1 - 432,010,01x.x3	mounting ring
	1 - 432,010,02x.x3	mounting plate, Maka
	1 - 432,010,06x.x3	mounting plate, Mars
	1 - 432,010,41x.x3	mounting plate, USA
	1 - 803,827,00x.x1	acceptor label
	1 - 902,001,12x.x1	gasket
	2 - 801,804,86x.x1	¼" standoff
	4 - 900,800,50x.x1	#8-32 keps nut
	2 - 900,800,89x.x1	#8-32 steel hex nut 1/16" thick
	1 - 437,050,04x.x3	socket bracket / door strap
	1 - 801,902,71x.x1	rain diverter shelf

Installation:

1. Unplug the vender.
2. Remove the changer socket, relay socket and sequencer from the existing socket bracket / door strap.
3. Remove the existing socket bracket / door strap.
4. Remove the coin insert retainer.
5. Remove the validator hole filler plate.
6. Install new socket bracket / door strap (437,050,04x.x3).
7. Replace the changer socket, relay socket and sequencer on the new socket bracket / door strap. (See figure 6.)
8. Pre-assemble the validator mounting plate, plate label and validator gasket. Note that the adhesive side of the validator gasket is placed against the back side of the validator mounting plate. (See figure 5.)
9. Place the mounting plate assembly in position.
10. Place the rain diverter shelf in position. (See figure 5.)
11. Place the coin insert retainer in position.
12. Remove the P.O.S. Window Retainer.
13. Install two ¼" standoffs (801,804,86x.x1) on the bottom P.O.S. Window thread studs. (See figure 5.)
14. Replace P.O.S. Window Retainer. (See figure 5.)
15. Secure the coin insert retainer with two #8-32 keps nuts (900,800,50x.x1). (See figure 5.)
16. Place Bill Validator in position.
17. Install top two #8-32 keps nuts (900,800,50x.x1). DO NOT SECURE AT THIS TIME.
18. Place Bill Validator ground wire on one of the thread studs.
19. Install bottom two #8-32 keps nuts (900,800,50x.x1).
20. Tighten the four #8-32 keps nuts.
21. Plug in the vender and test for proper operation.

